



Tap Holder

# SYNCHROMASTER SYNCHROFIT

Volume 1



# KEY FEATURES: SYNCHROMASTER

**1** Enables accurate depth control  
Achieves stable performance even with difficult small chamfer

**3** Prevents sudden breakage

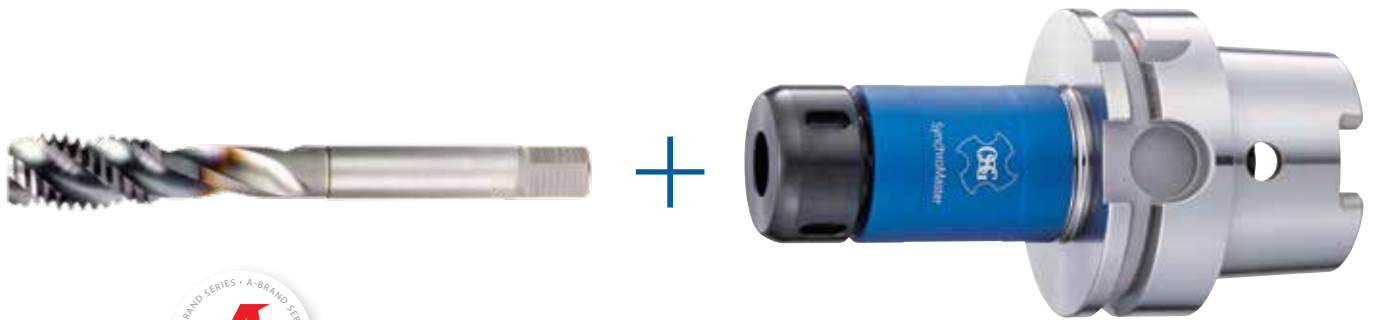
**2** Improves thread quality

**4** Prolongs tool life

**5** The combination of SynchroMaster and synchronous feed machines brings out the best of your A-TAP tools

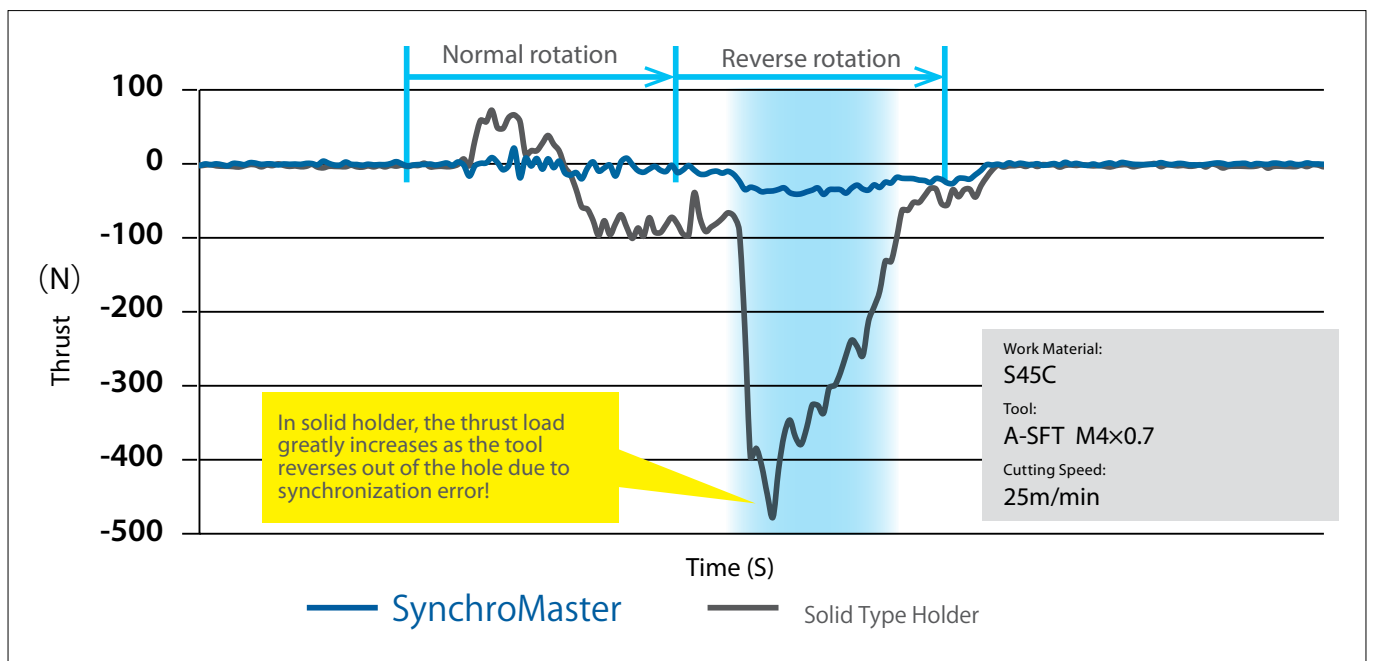


# SYNCHROMASTER TAP HOLDER



## A-TAP & SYNCHROMASTER THE BEST SOLUTION

SynchroMaster reduces axial and radial forces to enable the A-Tap series to reach its maximum potential !



Machine	Holder	Tap (example)	Recommendation
Machine with synchronous feed mechanism	SynchroMaster	A-TAP (A-SFT, A-POT, S-XPf)	●
		General purpose tap (EX-SFT, TIN-POT)	○

Synchro Tap is recommended to be used in combination with a solid holder and machine with synchronous feed mechanism

●: Best ○: Good



# SYNCHROMASTER TAP HOLDER

## The secret lies in its integrated single unit construction!

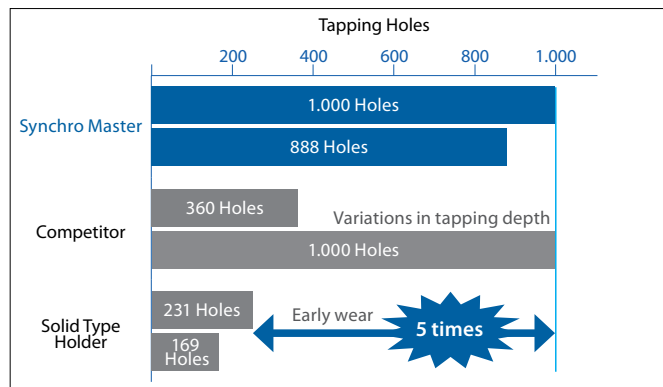
- Original metal flexure mechanism enables long tool life
- Ultra-small float mechanism ensures consistent tapping depth



- Disadvantages of General micro float holder
- Float mechanism that allows the 2-piece body construction with resin or rubber type damper to move in the thrust direction
  - Early degradation of the damper mechanism
  - Requires maintenance

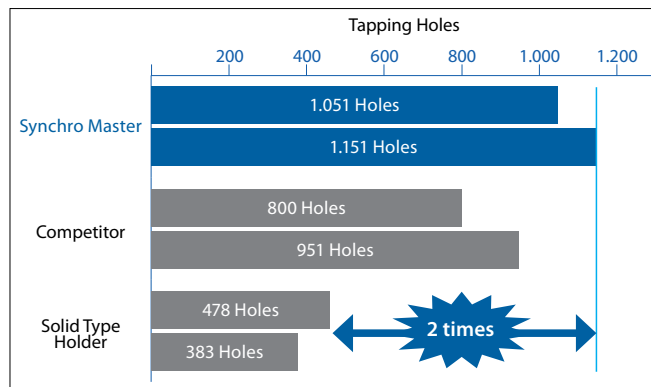
## Long tool life

Stable performance even with difficult short chamfer



Work Material: S45C Tool: A-SFT M4×0.7 1P Cutting Speed: 10m/min

Durability of forming taps can also be improved



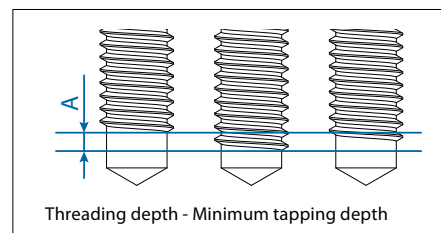
Work Material: SCM440 (30HRC) Tool: S-XPf M10×1.5 2P Cutting Speed: 15m/min

## Suppresses variations in tapping depth

Achieves high precision tapping depth comparable to solid type holder

Holder	Tap (example)
SynchroMaster	0.10 mm
Competitor	0.20 mm
Solid Type Holder	0.07 mm

Work Material: S45C Tool: S-XPf M10×1,5 2P Cutting Speed: 22m/min



SynchroMaster (Holder+Nut)



Collet (Sold separately)



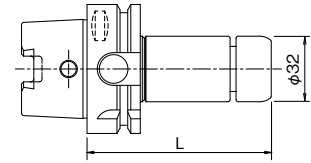
Spanner (Sold separately)

# SYNCHROMASTER

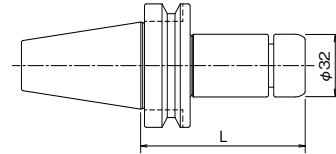
Threading | Holders | SynchroMaster



HSK shank holder



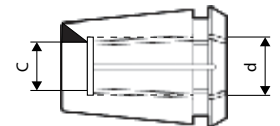
BT shank holder



- Tap holder synchronized
- Improve the tool life
- For tapping sizes from M3 to M12
- HSK and BT type, for ER16 collet type

EDP	Designation	L	Tap size	Price
79912	HSK40A-SMH16-85	85	M3~M12	
79913	HSK63A-SMH16-90	90	M3~M12	
79910	BT30-SMH16-90	90	M3~M12	
79911	BT40-SMH16-90	90	M3~M12	

1. The collet and spanner are sold separately The HSK40A is without manual clamping hole 2. Refer to the following chart for the corresponding tap size 3. Please use a machine with synchronous feed capability



## SynchroMaster Collet chuck

EDP	Collet chuck	C (mm)	d (mm)	DIN371	DIN376	Price
79949	ER16GH-3.5-2.7	2,7	3,5	M3	M5	
79951	ER16GH-4.5-3.4	3,4	4,5	M4	M6	
79953	ER16GH-6-4.9	4,9	6	M5, M6	M8	
79919	ER16GH-7-5.5	5,5	7	M7	M10	
79955	ER16GH-8-6.3	6,3	8	M8	M11	
79956	ER16GH-9-7.1	7,1	9	M9	M12	

1. For center-through coolant system, please insert the tool all the way to the back of the collet. Coolant leakage may occur if the tool insertion length is too short.  
 2. Select the appropriate collet after confirming the dimensions of the tap to be used.  
 3. Please confirm the tightening torque with a torque spanner or similar tool.

## Accessories & spare parts

EDP	Wrench	Cap nut	Price
79923	FKT-32L	-	
79922	-	ERP-16T	



# KEY FEATURES: SFH SYNCHROFIT

**1** Cap nut with ball-bearing for high run out accuracy and clamping force

**2** Patented thrust force compensator: compensates for deviations radially and axially, reducing flank wear and cutting torque

**3** Coolant transfer unit



# SFH SYNCHROFIT TAP HOLDER

---

Modern CNC machine tapping centers are designed to synchronize spindle rotation with the feed axis. In rigid tapping high axial forces have to be absorbed by the tap's thread flanks. This increased abrasive flank wear reduces the tool life of the tap as well as the surface quality and accuracy to gauge of the thread resulting in a significant decrease of process reliability, this may result in breakage of the tap. SynchroFit Tap Holder with it's new wear free radial cutting force compensation reduces the tap flank wear significantly.



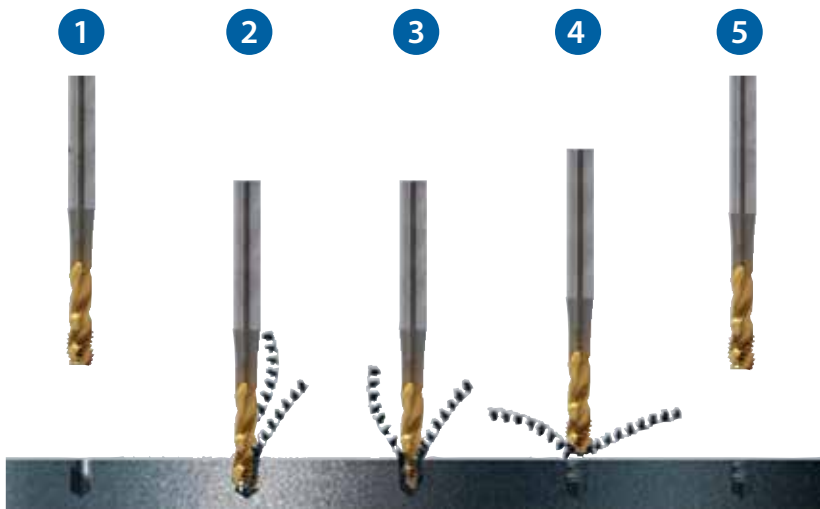
- Increased tool life
- Higher thread quality
- Increased process reliability

Most Synchro Tapping Chucks having a simple minimal length compensation using plastic elements. Deforming and harden appears after some time until compensation of synchronisation error is not possible anymore. Lifetime is reduced drastically compared to SynchroFit.

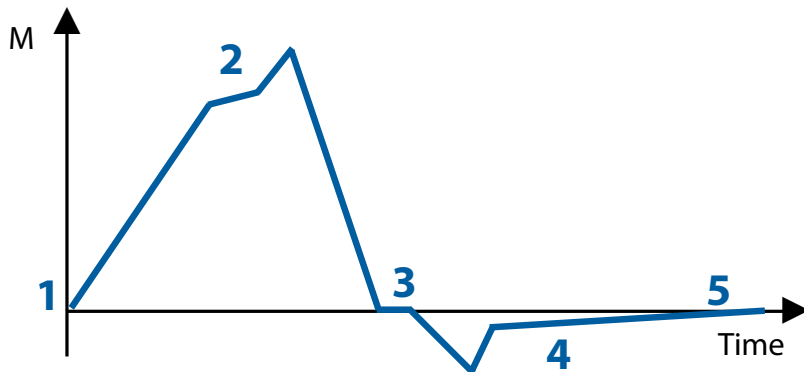


# SFH SYNCHROFIT TAPPING HOLDER

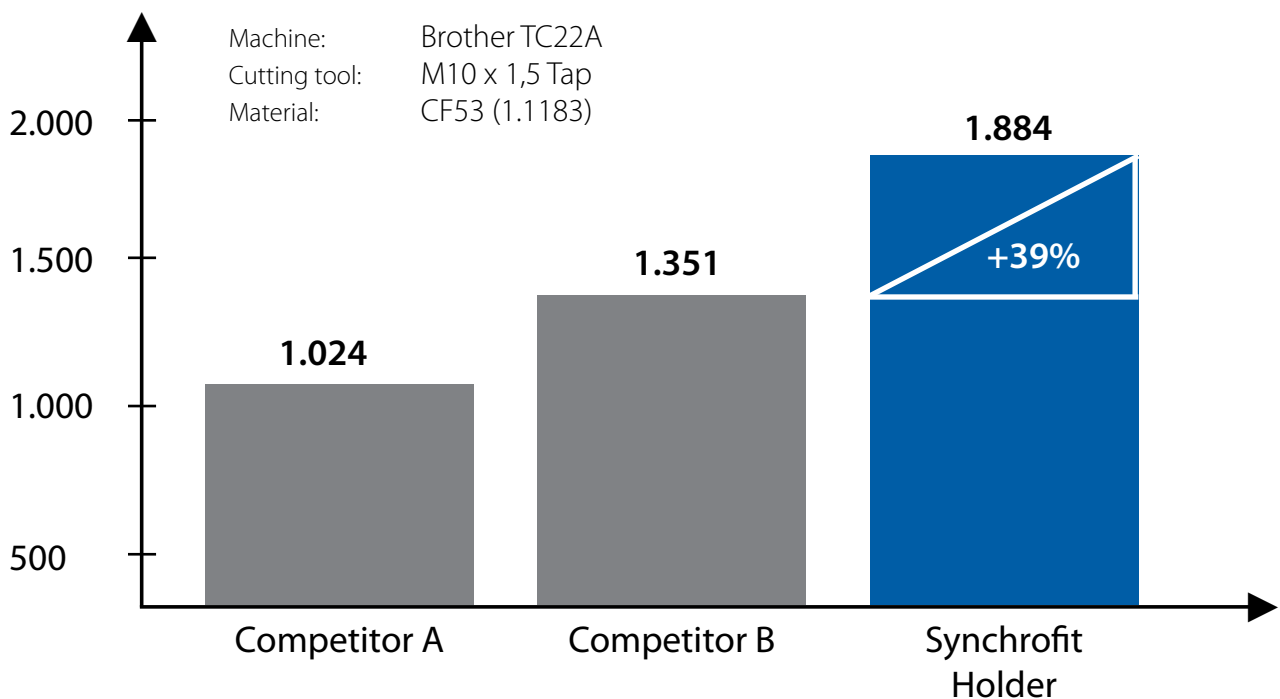
## Tapping process



- **Step 1 & 2**  
When cutting process starts, torque is increasing strongly.
- **Step 3**  
When the spindle stops the torque is zero.
- **Step 4**  
Again torque is increasing due to cutting of the residual chip at the end of the thread.
- **Step 5**  
Torque is decreasing steadily down to zero. (depending on direction of rotation)



## Tool life comparison







## SWEDEN

Branch office of OSG SCANDINAVIA  
Abrahams Gränd 8  
295 35 Bromölla  
Sweden  
Tel: +46 40 41 22 55  
Fax: +46 40 41 32 55  
osg@osg-scandinavia.com

## OSG SCANDINAVIA

(For Scandinavian countries)  
Langebjergvaenget 16  
4000 Roskilde  
Denmark  
Tel.: +45 46 75 65 55  
Fax: +45 46 75 67 00  
osg@osg-scandinavia.com

## OSG NETHERLANDS

Bedrijfsweg 5 - 3481 MG Harmelen  
Postbus 50 - 3480 DB Harmelen  
The Netherlands  
Tel.: +31 348 44 2764  
Fax: +31 348 44 2144  
info@osg-nl.com

## OSG UK

Shelton house, 5 Bentalls  
Pipps Hill Ind Est, Basildon Essex SS14 3BY  
United Kingdom  
Tel.: +44 845 305 1066  
Fax: +44 845 305 1067  
sales@osg-uk.com

## OSG EUROPE LOGISTICS

Avenue Lavoisier 1  
B-1300 Z.I. Wavre - Nord  
Belgium  
Tel.: +32 10 23 05 07  
Fax: +32 10 23 05 11  
info@osgeurope.com

## OSG BELUX

Avenue Lavoisier 1  
B-1300 Z.I. Wavre - Nord  
Belgium  
Tel.: +32 10 23 05 11  
Fax: +32 10 23 05 31  
info@osg-belgium.com

## OSG IBERICA

Bekolarra 4  
E - 01010 Vitoria-Gasteiz  
Spain  
Tel.: +34 945 242 400  
Fax: +34 945 228 883  
osg.iberica@osg-ib.com

## OSG FRANCE

Parc Icade, Paris Nord 2  
Immeuble "Le Rimbaud"  
22 Avenue des Nations  
CS66191 - 93420 Villepinte  
France  
Tel.: +33 1 49 90 10 10  
Fax: +33 1 49 90 10 15  
sales@osg-france.com





**SLOVAKIA**

Branch office of OSG Belgium s.a.  
Tel: +32 10 23 05 04  
Fax: +32 10 23 05 31  
info@osg-belgium.com

**OSG POLAND**

Spółdzielcza 57  
05-07 Halinów  
Poland

**OSG RUSSIA**

Butlerova street, 17B, office 5069  
117342 Moscow  
Russia  
Tel: +7 (495) 150 41 54  
info@osg-russia.com

**ROMSAN INTERNATIONAL CO. SRL**

Reprezentant Exclusiv OSG  
23-25, Nerva Traian Street  
031044 Bucuresti  
România  
Tel: +40 021 322 07 47  
Fax: +40 021 321 56 00  
romsan.int@romsan.ro

**OSG TURKEY**

Rami Kışla Cad.No:56 Eyüp  
Istanbul 34056  
Turkey  
Tel.+90 212 565 24 00  
Fax: +90 212 565 44 00  
info@osg-turkey.com

**OSG ITALIA**

Via Cirenaica n. 52 int. 61/63  
I - 10142 Torino  
Italy  
Tel.: +39 0117705211  
Fax: +39 0117071402  
info@osg-italia.it

**OSG GERMANY**

Karl-Ehmann-Str. 25  
D - 73037 Göppingen  
Germany  
Tel.: +49 7161 6064 - 0  
Fax: +49 7161 6064 - 444  
info@osg-germany.de



shaping your dreams

#### **OSG EUROPE LOGISTICS**

Avenue Lavoisier 1  
B-1300 Z.I. Wavre - Nord - Belgium  
Tel: +32 10 23 05 07  
Fax: +32 10 23 05 51  
info@osgeurope.com

#### **OSG POLAND Sp. z.o.o.**

Spółdzielcza 57  
05-074 Halinów - Poland  
Tel: +22 760 82 71  
Fax: +22 760 82 71  
osg@osg-poland.com

#### **OSG TURKEY**

Rami Kışla Cad.No:56 Eyüp  
Istanbul 34056 - Turkey  
Tel:+90 212 565 24 00  
Fax: +90 212 565 44 00  
info@osg-turkey.com

#### **OSG BELUX**

Avenue Lavoisier 1  
B-1300 Z.I. Wavre - Nord - Belgium  
Tel: +32 10 23 05 11  
Fax: +32 10 23 05 31  
info@osg-belgium.com

#### **OSG GERMANY**

Karl-Ehmann-Str. 25  
D - 73037 Göppingen - Germany  
Tel: +49 7161 6064 - 0  
Fax: +49 7161 6064 - 444  
info@osg-germany.de

#### **ROMSAN INTERNATIONAL CO. SRL**

Reprezentant Exclusiv OSG  
23-25, Nerva Traian Street  
031044 Bucuresti - România  
Tel: +40 021 322 07 47  
Fax: +40 021 321 56 00  
romsan.int@romsan.ro

#### **OSG FRANCE**

Parc Icade, Paris Nord 2  
Immeuble "Le Rimbaud"  
22 Avenue des Nations  
CS66191 - 93420 Villepinte - France  
Tel: +33 1 49 90 10 10  
Fax: +33 1 49 90 10 15  
sales@osg-france.com

#### **OSG SCANDINAVIA**

(For Scandinavian countries)  
Langebjergvaenget 16  
4000 Roskilde - Denmark  
Tel: +45 46 75 65 55  
Fax: +45 46 75 67 00  
osg@osg-scandinavia.com

#### **AUSTRIA**

Branch office of OSG GERMANY  
Messestraße 11  
A-6850 Dornbirn  
Tel: +49 7161 6064-0  
Fax: +49 7161 6064-444  
info@osg-germany.de

#### **OSG NETHERLANDS**

Bedrijfsweg 5 - 3481 MG Harmelen  
Tel: +31 348 44 2764  
Fax: +31 348 44 2144  
info@osg-nl.com

#### **SWEDEN**

Branch office of OSG SCANDINAVIA  
Abrahams Gränd 8  
295 35 Bromölla - Sweden  
Tel: +46 40 41 22 55  
Fax: +46 40 41 32 55  
osg@osg-scandinavia.com

#### **OSG ITALIA**

Via Cirenaiica n. 52 int. 61/63  
I - 10142 Torino - Italy  
Tel: +39 0117705211  
Fax: +39 0117071402  
info@osg-italia.it

#### **OSG UK**

Shelton house, 5 Bentalls  
Pipps Hill Ind Est, Basildon Essex SS14 3BY  
Tel: +44 845 305 1066  
Fax: +44 845 305 1067  
sales@osg-uk.com

#### **OSG IBERICA**

Bekolarra 4  
E - 01010 Vitoria-Gasteiz - Spain  
Tel: +34 945 242 400  
Fax: +34 945 228 883  
osg.iberica@osg-ib.com

#### **Vischer & Bolli AG**

Im Schossacher 17  
CH-8600 Dübendorf  
Schweiz  
Tel.: +41 44 802 15 15  
Fax: +41 44 802 15 95  
info@vb-tools.com

#### **SLOVAKIA**

Branch office of OSG Europe Logistics s.a.  
Tel (SK) +421 2 4329 1295  
Tel (BE) +32 10 23 05 07  
Fax (BE) +32 10 23 05 51  
sales-osgsvk@osgeurope.com

#### **RUSSIA**

Butlerova street, 17B, office 5069  
117342 Moscow - Russia  
Tel: +7 (495) 150 41 54  
info@osg-russia.com

#### **OSG EUROPE LOGISTICS S.A.**

11/2018 - All rights reserved. © OSG Europe 2018.

The contents of this catalogue are provided to you for viewing only. They are not intended for reproduction either in part or in whole in this or other medium. They cannot be copied, used to create derivation work or used for any reason, by means without the express, written permission of the copyright owner. If prices are stated, they are netto unit-prices and any eventual tax(es) have to be added. The company is not responsible for any printing error in technical, price and/or any other data.

Tool specifications subject to change without notice.

[www.osgeurope.com](http://www.osgeurope.com)